

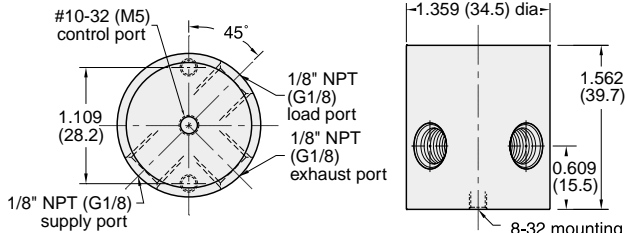
SPECIAL PILOTED 3-WAY VALVES



3-Way Normally-Closed Interface Valves

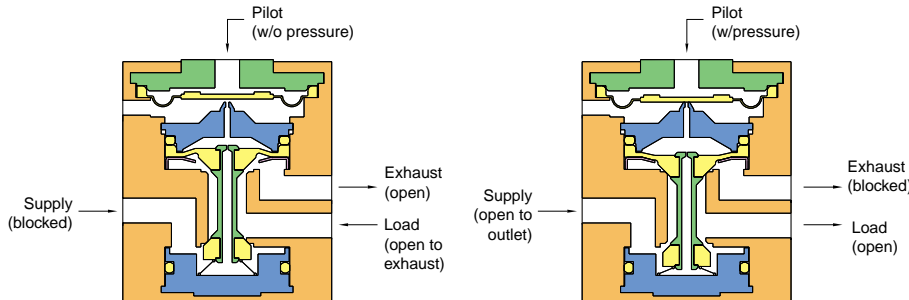


3-Way Valve Normally Closed Interface amplifies very low pressure air-jet sensing signals to working power levels



Top View

Side View



Valve Closed

Valve Open

Medium: Air

Material: Anodized aluminum body, Buna-N diaphragms

Input Pressure: 30-100 psig/2-7 bar max.

Air Flow: 22 SCFM @ 100 psig;
530 l/min @ 6 bar

Pilot Pressure: 4" H₂O @ 100 psig

Maximum Allowable Pilot Pressure: 5 psig

Response Time: 10 ms. dead headed

Operating Speed: 50 Hz

Bleed: 0.1 SCFM @ 100 psig

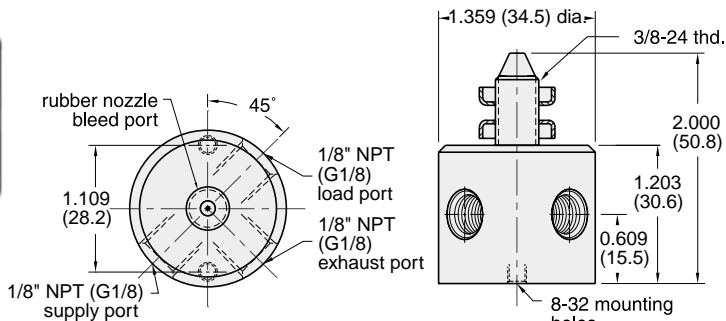
Ports: Load - 1/8" NPT (G1/8) female
Supply - 1/8" NPT (G1/8) female
Exhaust - 1/8" NPT (G1/8) female
Control - #10-32 (M5) female

| Part No. | Description |
|-------------------|-------------------------------------|
| 2010 | Normally-Closed Interface, 1/8" NPT |
| 2010-MG | Normally-Closed Interface, G1/8 |

3-Way Bleed Pressure Piloted Limit Valves

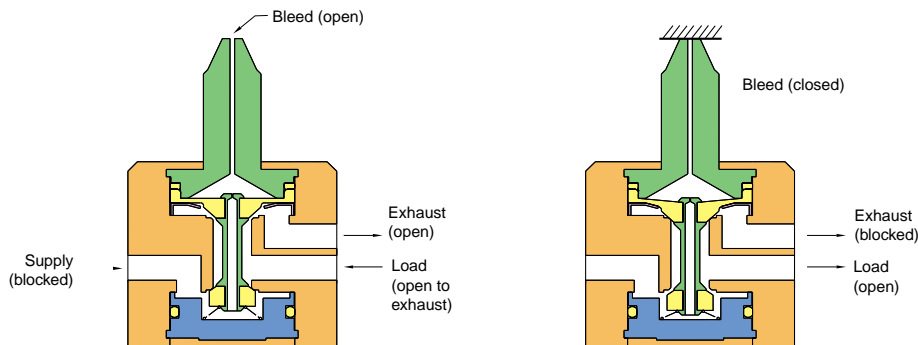


3-Way Bleed Pressure Piloted Limit Valve; blocking of the sensing port causes rapid valve opening



Top View

Side View



Valve Closed

Valve Open

Medium: Air

Material: Anodized aluminum body, Buna-N diaphragms

Input Pressure: 30-100 psig/2-7 bar max.

Air Flow: 22 SCFM @ 100 psig;
530 l/min @ 6 bar

Bleed: 0.1 SCFM @ 100 psig

Response Time: 15 ms.
(response time will increase)

Ports: 1/8" NPT (G1/8)

Note: Supplied with threaded bulkhead mount and integral rubber nozzle for direct actuation by mechanical closure. By removing rubber nozzle and inserting a #10-32 fitting and length of hose, 2011-1 can be converted to a remote sensing valve.

| Part No. | Description |
|---------------------|-------------------------------|
| 2011-1 | Piloted Limit Valve, 1/8" NPT |
| 2011-1-MG | Piloted Limit Valve, G1/8 |